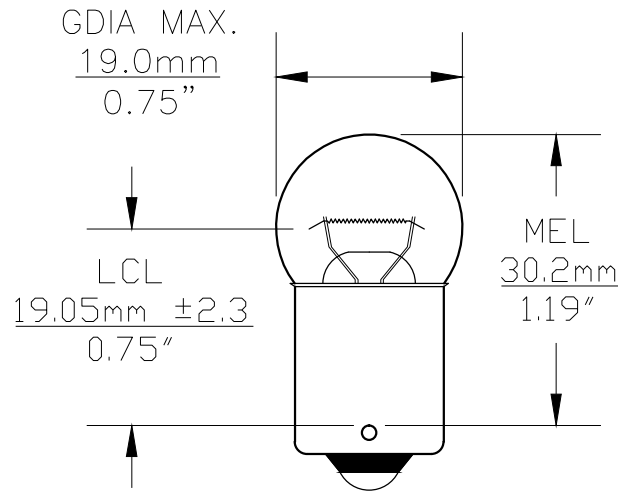
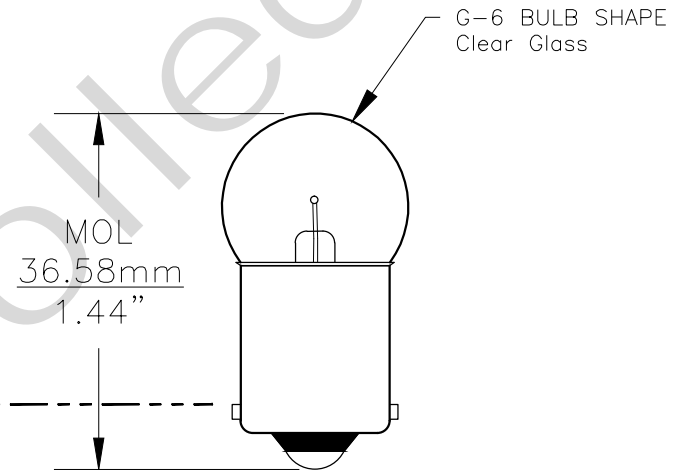




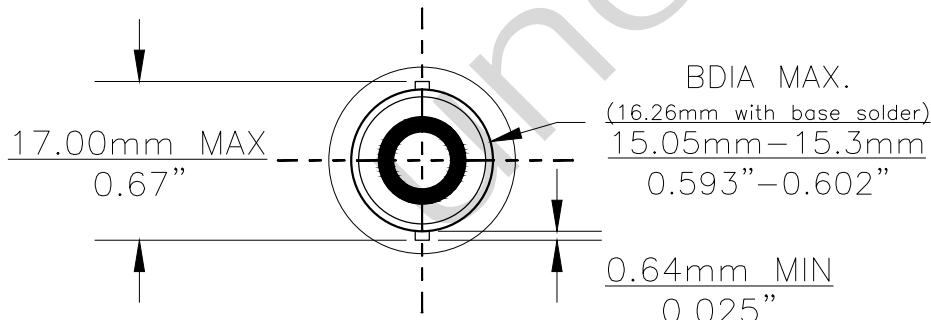
PART NO.	BASE TYPE	DESIGN VOLTS	DESIGN AMPS	MSCD	FILAMENT TYPE	AVERAGE LIFE HOURS	REVISIONS			
							REV #	DESCRIPTION	DATE	APPROVED
81	S.C. BAYONET (BA15s)	6.5V	1.02 ±8%	6 ±15%	C-6	500	1	ISSUED	11/03/2014	R.M.
							2	UPDATED FILAMENT FROM C-2R TO C-6	06/03/2015	R.M.



0° VIEW



90° VIEW



BASE BOTTOM VIEW



Note: Made according to SAE specifications

UNLESS OTHERWISE SPECIFIED: DIMENSIONS ARE IN INCHES TOLERANCES		CEC INDUSTRIES LTD			
DECIMALS .XX ± .05	ANGULAR ± 0.5°	599 BOND STREET		LINCOLNSHIRE, IL 60069	
.XXX ± .010	FRACTIONAL ± 1/64	TITLE LIGHT BULB NO. 81			
DRAWN ROSE MEDINA	DATE 11/03/2014	SIZE A	FSCM NO.	DWG NO. 81	REV 2
DESIGN	SCALE	PLOT SCALE	SHEET 1 OF 1		
MATERIAL	FILE 81.pdf	DRAWING NOT TO SCALE			