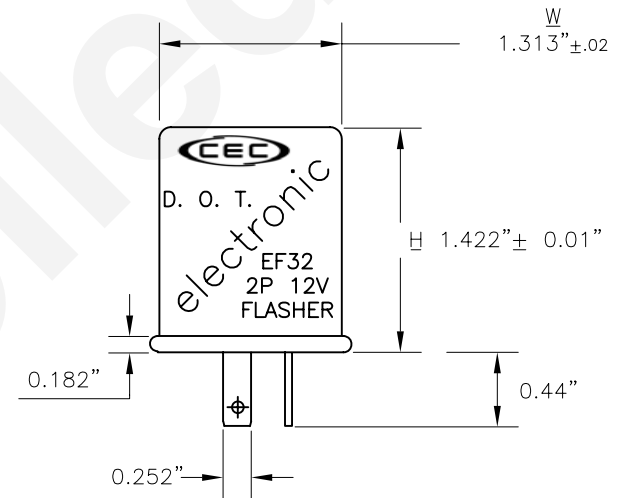
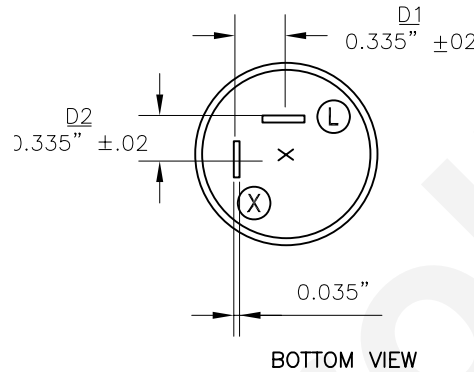
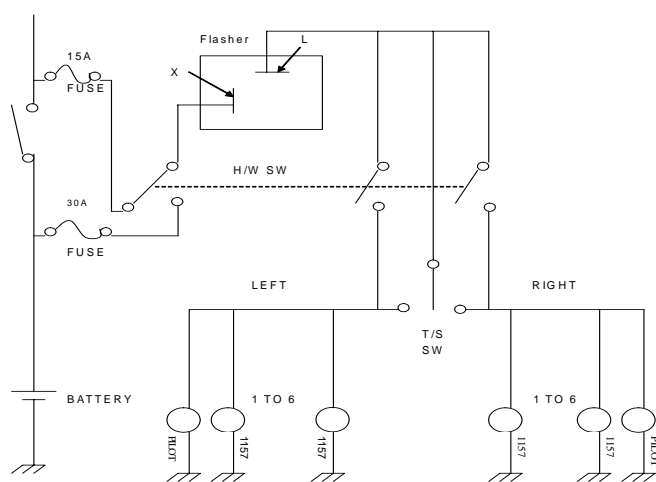


PART NO.	NO. OF TERMINALS	TYPE	STYLE	VOLT CAPACITY
EF32	2	Variable Load	Round	11V-15V

REVISIONS				
REV	Description	Date	APPROVED	
1	Added dimensions tolerance	6/12/2002	A.S.	
2	Additional dimensions added	6/14/2002	A.S.	
3	Additional dimensions and specs. added	12/13/2004	D. C.	
4	REMOVED TOP VIEW	01/18/2008	D. C.	

EF32 CIRCUIT DIAGRAM



ADDITIONAL SHELL TEXT

HEAVY DUTY
INPUT LEAD MUST BE FUSED
MAX 25 AMPS

Specifications: FMVSS 108 SAE J590b J945 & J1690 Class A

Shell Construction: Plastic

Rated Load: 1 to 12 SAE Number 1157 Lamps

Lamp Ratings: (1) No. 1157 2.10 Amps. At 12.8 Volts
(12) No. 1157 25 Amps. At 12.8 Volts

Temperature Operating Range: -25°F to 140°F

Rated Voltage: 11 to 15 Volts DC.

Voltage Drop at Rated Current: 500 mv

Time to First Flash: Less than 1.5 seconds.

Flash Rate over : 60 to 120 Flash Per Minute

Duty Cycle: 35% to 75%

Electrical Source: 30 Amp. Input Lead Must Be Fused

L = Load (lamp Input)

X= Battery (Power Input)

UNLESS OTHERWISE SPECIFIED: DIMENSIONS ARE IN INCHES TOLERANCES		CEC INDUSTRIES LTD			
DECIMALS .XX ± .05 .XXX ± .010 FRACTIONAL ±1/64		599 BOND STREET		LINCOLNSHIRE IL 60069	
DRAWN Anna Soloveychik		TITLE ELECTRONIC FLASHER EF32			
DATE 03/28/02		SIZE A	FSCM NO.	DWG NO. FLASHER EF32	REV 4
CHECKED		SCALE	PLOT SCALE	SHEET 1 OF 1	
DESIGN		FILE EF32.dwg			
MATERIAL		DO NOT SCALE DRAWING			