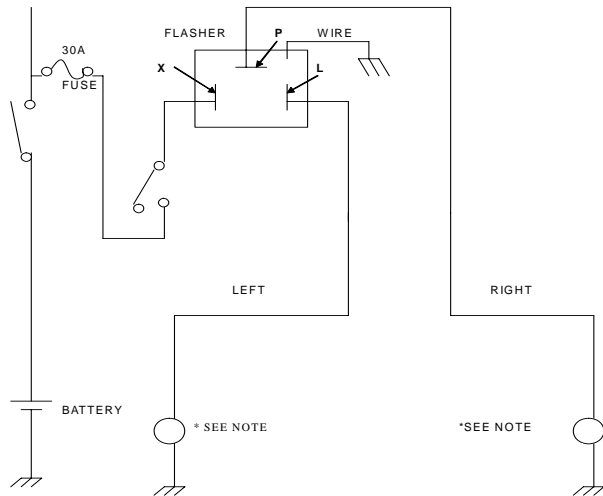


REVISIONS			
REV	DESCRIPTION	DATE	APPROVED
1	Redrawn	02/07/2006	D.C.

PART NO.	NO. OF TERMINALS	TYPE	STYLE	VOLT CAPACITY
EF30AL	3	ALTERNATING	*SQUARE	11-15

*FITS ALL STANDARD ROUND SOCKETS

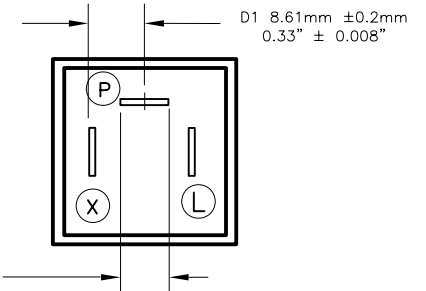
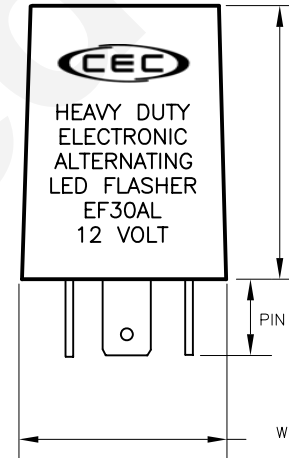
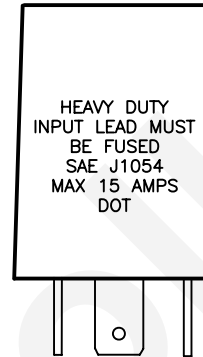
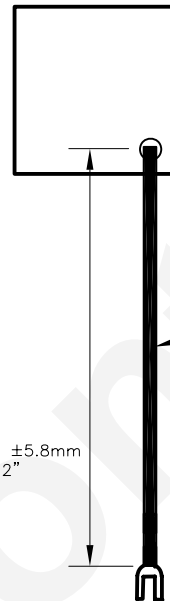
EF30AL CIRCUIT DIAGRAM



*NOTE: RATED LOAD 20mA to 15A

Specifications: FMVSS 108 J1054
 Shell Construction: Plastic
 Rated Load: 20mA to 15 amps self-adjusting to lamp amperage draw.
 Lamp Ratings: 20mA - 15 Amps.
 Temperature Operating Range: -25°F to 140° F
 Rated Voltage: 11 to 15 Volts DC.
 Voltage Drop at Rated Current: 500 mv
 Time to First Flash: Less than 1.5 seconds.
 Flash Rate over Temperature Range: 60 to 120 Flash Per Minute
 Duty Cycle: 35% to 75%
 Electrical Source: 15 amps. Input lead must be fused.
 External wire provides ground.
 L Terminal = Load (Lamp Output)
 X Terminal = Battery (Power Input)
 P Terminal = L2 Load.

TOP VIEW



BOTTOM VIEW

UNLESS OTHERWISE SPECIFIED: DIMENSIONS ARE IN INCHES TOLERANCES		CEC INDUSTRIES LTD		
DECIMALS .XX ± .05 .XXX ± .010 FRACTIONAL ±1/64		599 BOND STREET		LINCOLNSHIRE, IL 60069
ANGULAR ± 0.5°		TITLE		
DRAWN Anna Soloveychik		ELECTRONIC LED FLASHER EF30AL		
DATE 03/04/2003		SIZE A	FSCM NO.	DWG NO. FLASHER EF30AL
CHECKED		SCALE	PLOT SCALE	REV 1
DESIGN		SHEET 1 OF 1		
MATERIAL		FILE EF30AL.DWG	DO NOT SCALE DRAWING	