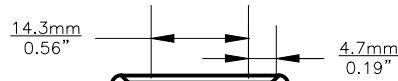
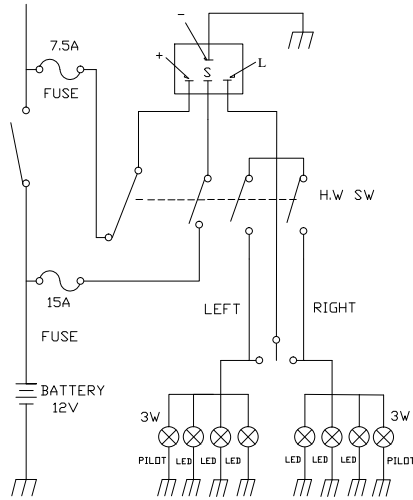
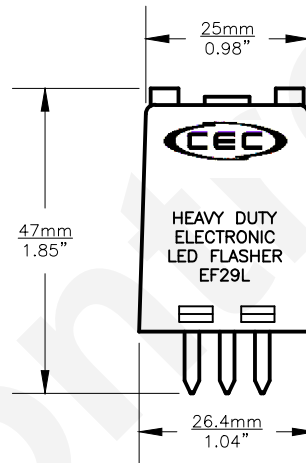


PART NO.	NO. OF TERMINALS	TYPE	STYLE	VOLTS
EF29L	4	COMBINATION TS & HAZARD	SQUARE	12

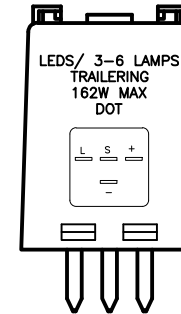
REVISIONS			
REV	DESCRIPTION	DATE	APPROVAL
1	ISSUED	11/10/2010	D.C.
2	MOVED VIEWS	12/13/2010	D.C.
3	BACK MARKING	03/14/2011	D.C.
4	REVISED RATED LOAD	05/03/2017	R.M.



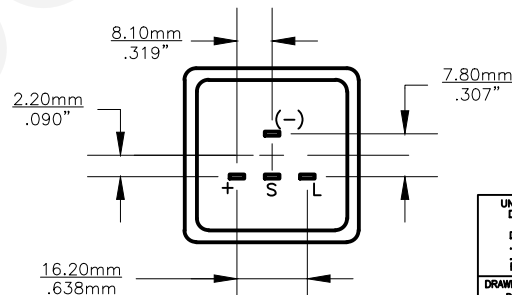
TOP VIEW



FRONT VIEW



BACK VIEW



BOTOM VIEW

Specifications: FMVSS108, SAE J590b, J945 & J1690 Class A.

Shell Construction: Plastic

Rated Load: 20mA to 15 Amps

Lamp Ratings: No. 1156 2.10 Amps. At 12.8 Volts
No. 1895 0.27 Amps At 14.0 Volts
1-12 Amps

Power: 162W

Temperature Operating Range: -10°F to 140° F

Rated Voltage: 11 to 15 Volts DC.

128° F 11 to 13 Volts

78° F 12.8 Volts

0° F 11 to 13 Volts

Voltage Drop at Rated Current: 800 mv

Time to First Flash: Less than 1.5 seconds.

Flash Rate over Temperature Range: 60 to 120 Flashes Per Minute

Duty Cycle: 35% to 75%

Electrical Source: 15 amps. Fused circuit recommended.

L Terminal = Lamp Load

+ Terminal = Battery Power Input

- Terminal = Ground

S Terminal = Sense

UNLESS OTHERWISE SPECIFIED: DIMENSIONS ARE IN INCHES TOLERANCES		CEC INDUSTRIES LTD	
DECIMALS	± .05	ANGULAR	± 0.5°
XXX ± .010			
FRACTIONAL	± 1/64	599 BOND STREET LINCOLNSHIRE IL 60069	
DRAWN D.C.		TITLE	
DATE 11/10/2010		ELECTRONIC FLASHER EF29L	
CHECKED		SIZE A	FSCM NO. EF29L
DESIGN		DWG NO.	REV 4
MATERIAL		SCALE	PLOT SCALE
		FILE EF29L.dwg	SHEET 1 OF 1
		DO NOT SCALE DRAWING	