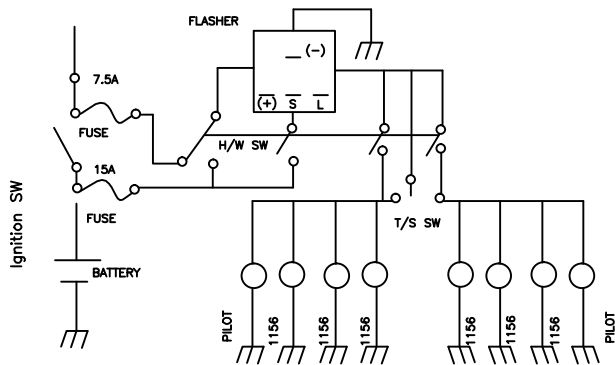


PART NO.	NO. OF TERMINALS	TYPE	STYLE	VOLTS
EF29	4	COMBINATION TS & HAZARD	SQUARE	12

REVISIONS			
REV	DESCRIPTION	DATE	APPROVAL
1	ISSUED	11/02/2001	E.S.
2	ADDITIONAL VIEWS	10/11/2002	A.S.
3	BACK HOUSING VIEW	1/22/2008	D.C.
4	SMALLER HOUSING, TOP BRACKET	11/12/2010	D.C.
5	PIN LAYOUT, DESIGNATIONS	12/06/2010	D.C.

EF29 CIRCUIT DIAGRAM



Specifications: FMVSS108, SAE J590b, J945 & J1690 Class A.

Shell Construction: Plastic

Rated Load: Fixed Load 3 or 6 SAE Number 1156 Lamps.

Lamp Ratings: No. 1156 2.10 Amps. At 12.8 Volts
No. 1895 0.27 Amps At 14.0 Volts

Temperature Operating Range: -25°F to 140° F

Rated Voltage: 11 to 15 Volts DC.

128° F 11 to 13 Volts

78° F 12.8 Volts

0° F 11 to 13 Volts

Voltage Drop at Rated Current: 500 mv

Time to First Flash: Less than 1.5 seconds.

Flash Rate over Temperature Range: 60 to 120 Flash Per Minute

Duty Cycle: 35% to 75%

Electrical Source:

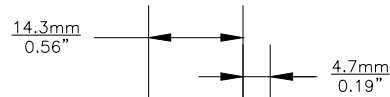
15 amps. Fused circuit recommended.

L Terminal = Lamp Load

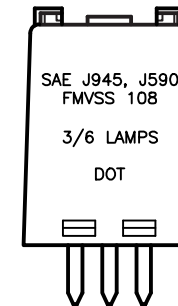
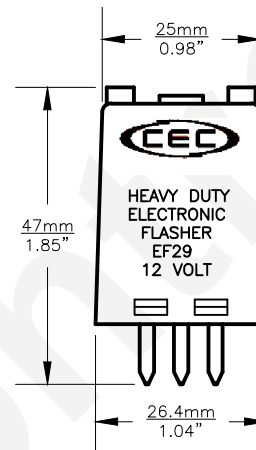
+ Terminal = Battery Power Input

- Terminal = Ground

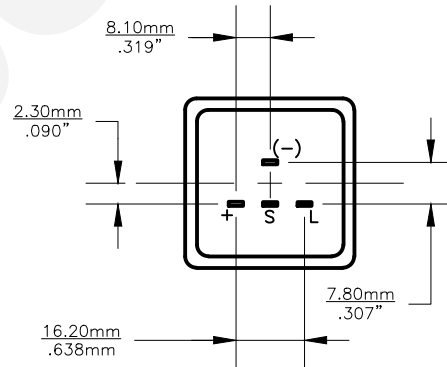
S Terminal = Sense



TOP VIEW



BACK VIEW



UNLESS OTHERWISE SPECIFIED: DIMENSIONS ARE IN INCHES TOLERANCES		CEC INDUSTRIES LTD	
DECIMALS	± .05	599 BOND STREET	LINCOLNSHIRE IL 60069
ANGULAR	± 0.5°	TITLE	
XXX ± .010		ELECTRONIC FLASHER NO. EF29	
FRACTIONAL	± 1/64	SIZE	FSCM NO.
		A	DWG NO.
DRAWN	DATE	EF29	
Elizabeth Sonnes	11/02/2001	SCALE	PLOT SCALE
CHECKED		SHEET 1 OF 1	
DESIGN		FILE	DO NOT SCALE DRAWING
MATERIAL		EF29.dwg	