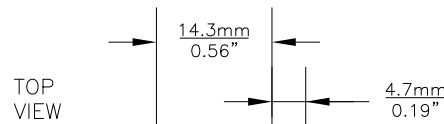
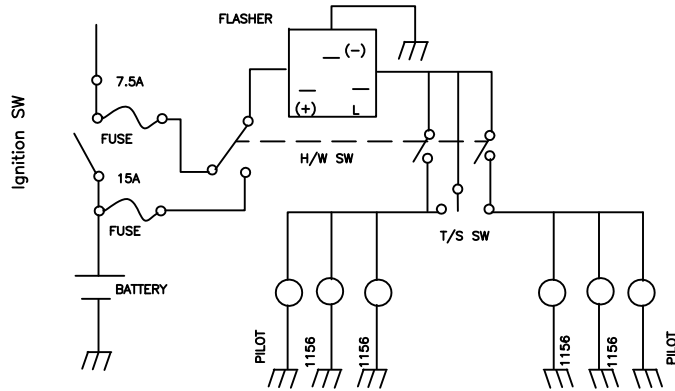


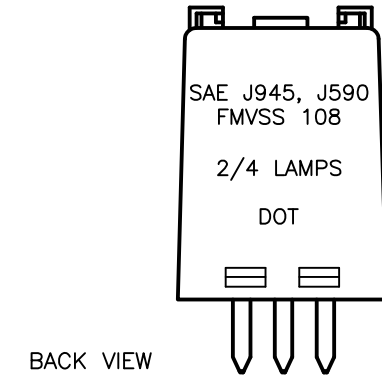
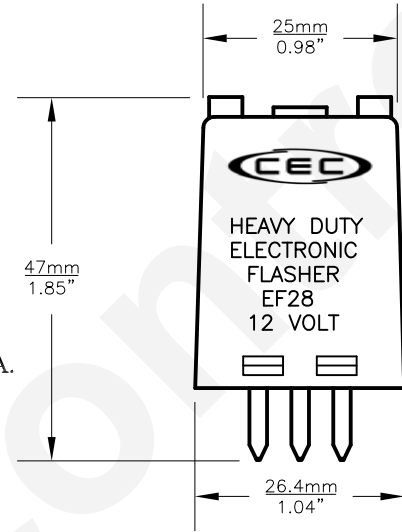
PART NO.	NO. OF TERMINALS	TYPE	STYLE	VOLTS
EF28	3	COMBINATION TS & HAZARD	SQUARE	12

REVISIONS			
REV	DESCRIPTION	DATE	APPROVAL
1	ISSUED	11/02/2001	E.S.
2	ADDITIONAL VIEWS	10/11/2002	A.S.
3	BACK HOUSING VIEW	1/23/2008	D.C.
4	SMALLER HOUSING, TOP BRACKET	11/12/2010	D.C.

EF28 CIRCUIT DIAGRAM



SYMBOLS
+ = BATTERY (POWER INPUT)
- = GROUND
L = LOAD



Specifications: FMVSS108, SAE J590b, J945 & J1690 Class A.

Shell Construction: Plastic

Rated Load: Fixed Load 2 or 4 SAE Number 1156 Lamps.

Lamp Ratings: No. 1156 2.10 Amps. At 12.8 Volts
No. 1895 0.27 Amps At 14.0 Volts

Temperature Operating Range: -25°F to 140° F

Rated Voltage: 11 to 15 Volts DC.

128° F 11 to 13 Volts

78° F 12.8 Volts

0° F 11 to 13 Volts

Voltage Drop at Rated Current: 500 mv

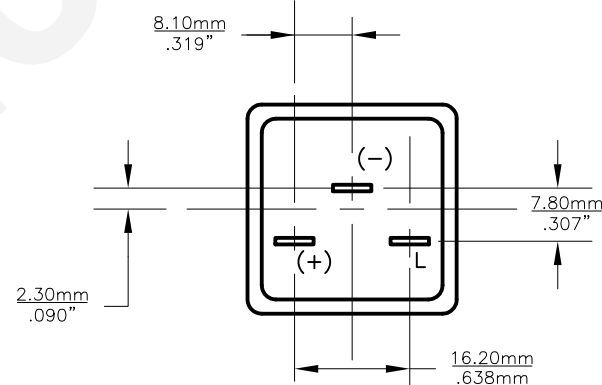
Time to First Flash: Less than 1.5 seconds.

Flash Rate over Temperature Range: 60 to 120 Flash Per Minute

Duty Cycle: 35% to 75%

Electrical Source:

15 amps. Fused circuit recommended.



UNLESS OTHERWISE SPECIFIED: DIMENSIONS ARE IN INCHES TOLERANCES		CEC INDUSTRIES LTD	
DECIMALS .XX ± .05	ANGULAR .XX ± 0.5°	599 BOND STREET	LINCOLNSHIRE IL 60069
FRACTIONAL .XX ± .010	±1/64	TITLE	
DRAWN Elizabeth Sonanes		ELECTRONIC FLASHER NO. EF28	
DATE 11/02/2001		SIZE A	FSCM NO. DWG NO. EF28
CHECKED		SCALE	PLOT SCALE SHEET 1 OF 1
DESIGN		FILE EF28.dwg	DO NOT SCALE DRAWING
MATERIAL			