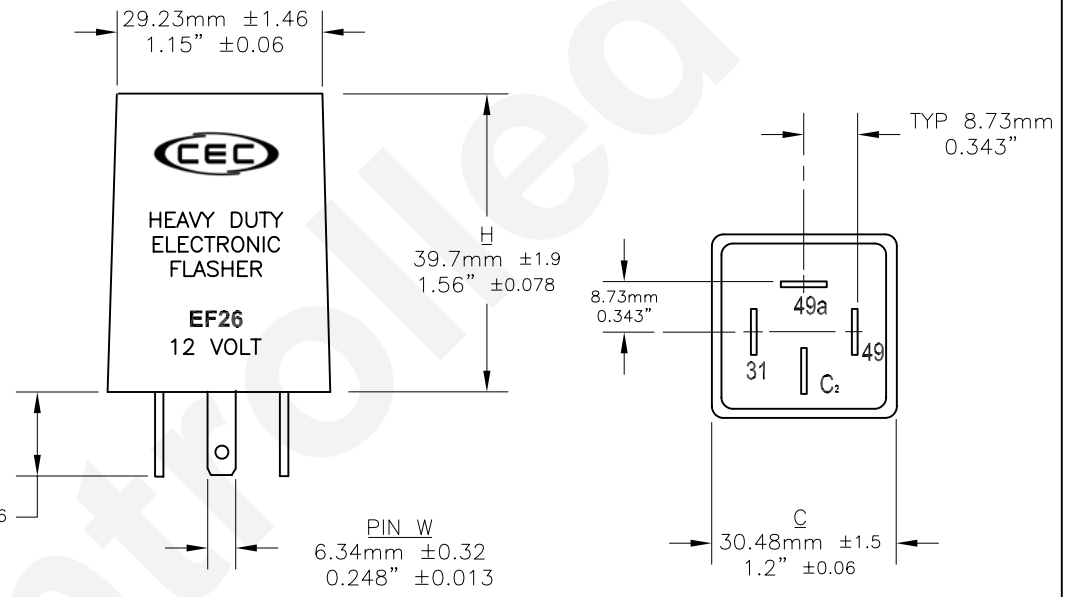
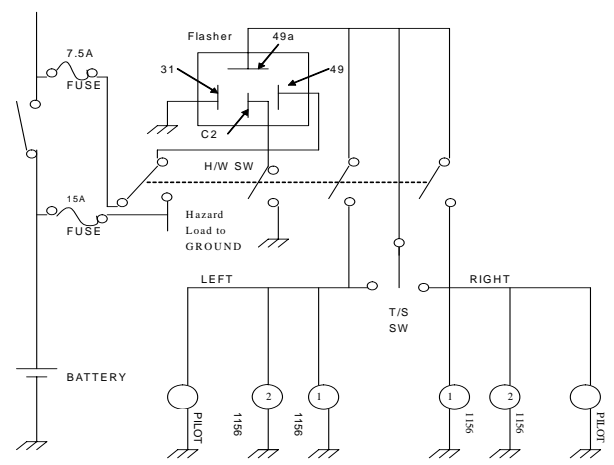


PART NO.	NO. OF TERMINALS	TYPE	STYLE	DESIGN VOLTAGE
EF26	4	Combination TS & Hazard	Square	12 V

REV	REVISIONS		Date	Approval
	Description			
1	ISSUED		7/10/2003	A.S.
2	REDRAWN		1/10/2005	D.C.
3	BACK HOUSING VIEW		1/16/2008	D.C.

EF26 CIRCUIT DIAGRAM



Specifications: FMVSS108, SAE J590b, J945 & J1690 Class A.
Shell Construction: Plastic
Rated Load: Fixed Load 2 lamps for turn signal / 6 lamps for hazard warning
 SAE Number 1156 Lamps. / 12 Amps MAX
Lamp Ratings: No. 1156 2.10 Amps. At 12.8 Volts
 No. 1895 0.27 Amps At 14.0 Volts
Temperature Operating Range: -25°F to 140°F (-32°C to 63°C)
Rated Voltage: 11 to 15 Volts DC.
 128° F 11 to 13 Volts
Voltage Drop at Rated Current: 500 mv
Time to First Flash: Less than 1.5 seconds.
Flash Rate over Temperature Range: 60 to 120 Flash Per Min.
Duty Cycle: 35% to 75%
Electrical Source:
 15 amps. Fused circuit recommended.
 Refer to Drawing for Terminal & Circuit Diagram.

TEXT ON BACK

SAE J945, J590
 J1690 CLASS A
 MAX 6 LAMPS
 DOT

Symbols	Functions
49	Battery (+)
31	Battery (-) Ground
49a	Turn Signal Load
C2	Hazard Load to Ground

UNLESS OTHERWISE SPECIFIED: DIMENSIONS ARE IN INCHES TOLERANCES		CEC INDUSTRIES LTD		
DECIMALS	ANGULAR	599 BOND STREET		LINCOLNSHIRE IL 60069
.XX ± .05	± 0.5°	TITLE		
.XXX ± .010		ELECTRONIC FLASHER EF26		
FRACTIONAL	±1/64	SIZE	FSCM NO.	DWG NO.
		A		EF26
DRAWN	DATE	SCALE	PLOT SCALE	SHEET 1 OF 1
Anna Soloveychik	07/10/2003			
CHECKED		FILE		REV
		EF26.DWG		3
DESIGN		DO NOT SCALE DRAWING		
MATERIAL				