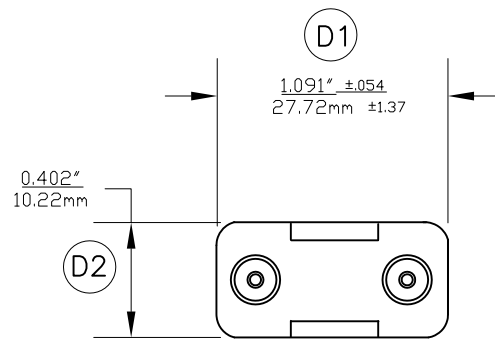


PART NO.	VOLTS	AMPS
CB128-10	6-12	10
CB128-15	6-12	15
CB128-20	6-12	20
CB128-25	6-12	25
CB128-30	6-12	30
CB128-40	6-12	40

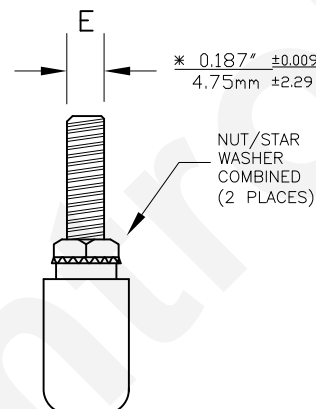
REVISIONS			
REV	DESCRIPTION	DATE	APPROVED
1	ISSUED	01/31/2005	D.C.
2	REVISED PART NO. CHART	12/07/2006	D.C.
3	Add SAE Standard & Dimension Index	10/15/2007	S.L.
4	NOTE: TYPE 2, ADD 50AMP	08/04/2008	D.C.
5	DISCONTINUED 50 AMP	02/27/2012	D.C.
6	REVISED VOLTAGE RATING	06/27/2013	D.C.

TYPE 2 CIRCUIT BREAKER
Complies with SAE Standard J553

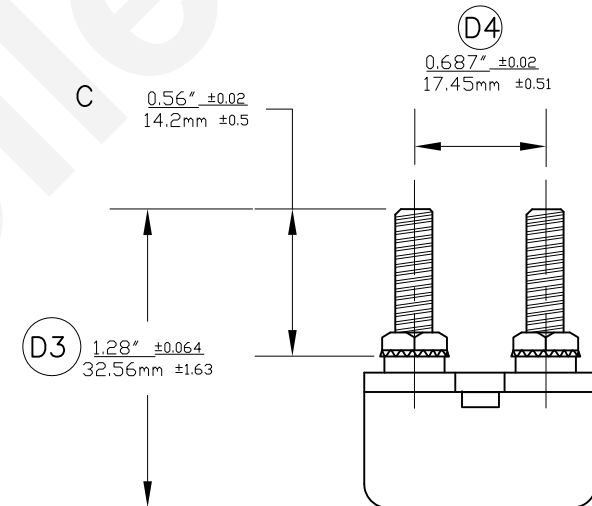
*Two 10-32 Stud Terminals



TOP VIEW



SIDE VIEW



FRONT VIEW

Characteristics:

1. Load (10, 15, 20, 25, 30, 40) Amperes (see part no. above)
2. Voltage 6-12 Volts.
3. Voltage Drop is less than 150 MV at Rated Current
4. Open Circuit Current: 1.0-Ampere Maximum
5. Operation:
 - A. Will not open. No Load at 240° F (116° C)
 - B. Time to Open @ 135% Rated Current: 30 Minutes Maximum
 - C. Time to Open @ 200% Rated Current: 60 Seconds Maximum.
 - D. Hold 100% rated current continuously for a minimum of 30 minutes.
 - E. After interrupting overload. Unit Will not reset until load is removed

F2

F3

F1

UNLESS OTHERWISE SPECIFIED: DIMENSIONS ARE IN INCHES TOLERANCES		CEC INDUSTRIES LTD	
DECIMALS .XX ± .05	ANGULAR ± 0.5°	599 BOND STREET	LINCOLNSHIRE IL 60069
.XXX ± .010	FRACTIONAL ± 1/64	TITLE	
DRAWN D.C.	DATE 01/31/2005	CIRCUIT BREAKER NO. CB128	
CHECKED		SIZE A	REV 6
DESIGN		FSCM NO. 9305R FCB	DWG NO. CB128
MATERIAL		SCALE	PLOT SCALE
		FILE CB128.dwg	SHEET 1 OF 1
DO NOT SCALE DRAWING			