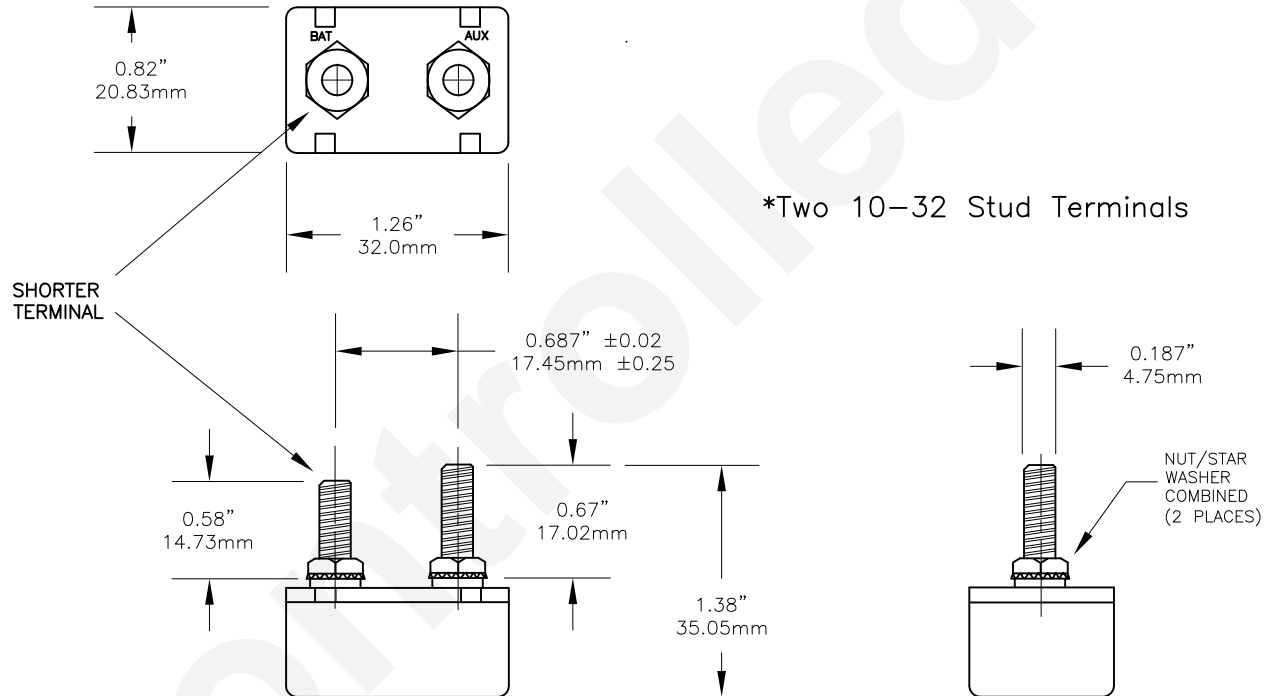


PART NO.	VOLTS	AMPS
CB125-10	6-12	10
CB125-15	6-12	15
CB125-20	6-12	20
CB125-25	6-12	25
CB125-30	6-12	30
CB125-40	6-12	40
CB125-50	6-12	50

TYPE 1 CIRCUIT BREAKER
COMPLIES WITH SAE J553



REVISIONS			
REV	DESCRIPTION	DATE	APPROVED
1	DRAWING ISSUED	01/16/2008	D.C.
2	ADDITIONAL SPECS.	08/15/2008	D.C.
3	REVISED VOLTAGE RATING	08/26/2013	D.C.

Characteristics

1. Load (10, 15, 20, 25, 30, 40, 50) Amperes
2. Voltage 6-12 Volts.
3. Voltage Drop is less than 150 MV at Rated Current
4. Operation:
 - A. Will not open. No Load at 240° F (116° C)
 - B. Time to Open @ 135% Rated Current: 30 minutes maximum.
 - C. Time to Open @ 200% Rated Current: 60 seconds maximum.
 - D. Hold 100% rated current for a minimum of 30 minutes.

UNLESS OTHERWISE SPECIFIED: DIMENSIONS ARE IN INCHES TOLERANCES		CEC INDUSTRIES LTD			
DECIMALS	ANGULAR	599 BOND STREET		LINCOLNSHIRE IL 60069	
.XX ± .05	± 0.5°	TITLE			
.XXX ± .010	± 1/64	CIRCUIT BREAKER NO. CB125			
FRACTIONAL		SIZE	FSCM NO.	DWG NO.	REV
		A	9306 FCB	CB125	3
DRAWN	DATE	SCALE	PLOT SCALE	SHEET	OF
D.C.	01/16/2008			1	1
CHECKED		FILE	DO NOT SCALE DRAWING		
DESIGN		CB125.dwg			
MATERIAL					