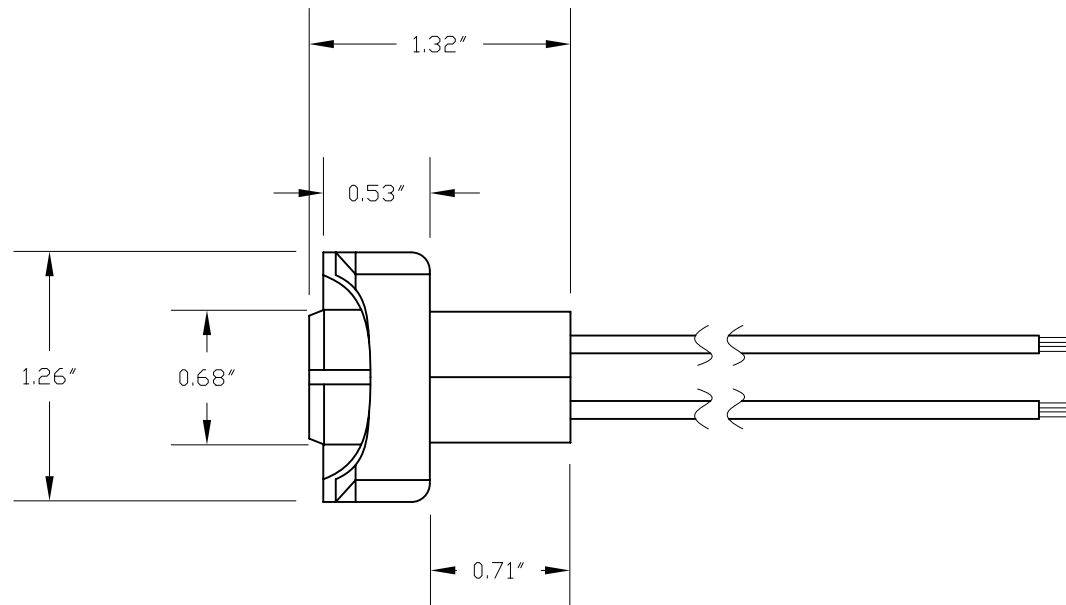
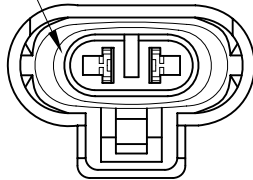


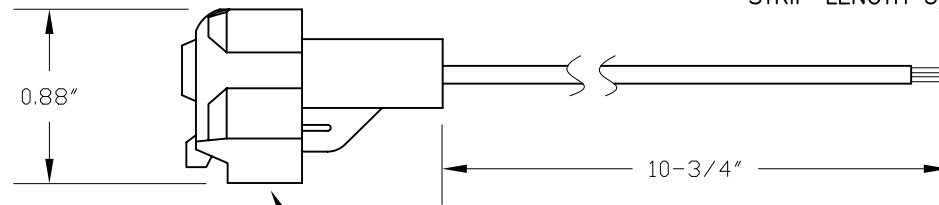
REVISIONS			
REV	DESCRIPTION	DATE	APPROVED
1	ISSUED	06/10/2010	DC



GASKET: BLUE



WIRE: BLACK, 18GA, 10-3/4",
STRIP LENGTH 3/16"



HOUSING: TAN

HOUSING FITS ALL 800 SERIES
AXIAL PREFOCUS HALOGEN LAMPS

UNLESS OTHERWISE SPECIFIED: DIMENSIONS ARE IN INCHES TOLERANCES		CEC INDUSTRIES LTD		
DECIMALS .XX ± .02		599 BOND STREET LINCOLNSHIRE, IL 60069		
ANGULAR ± 1°		TITLE		
.XXX ± .010		PART NO. 85914		
FRACTIONAL ± 1/64		SIZE	FSCM NO.	DWG NO.
DRAWN	DATE	A		85914
DC	06/10/2010	SCALE	PLOT SCALE	SHEET 1 OF 1
CHECKED				REV 1
DESIGN		DO NOT SCALE DRAWING		
MATERIAL		FILE	85914.dwg	