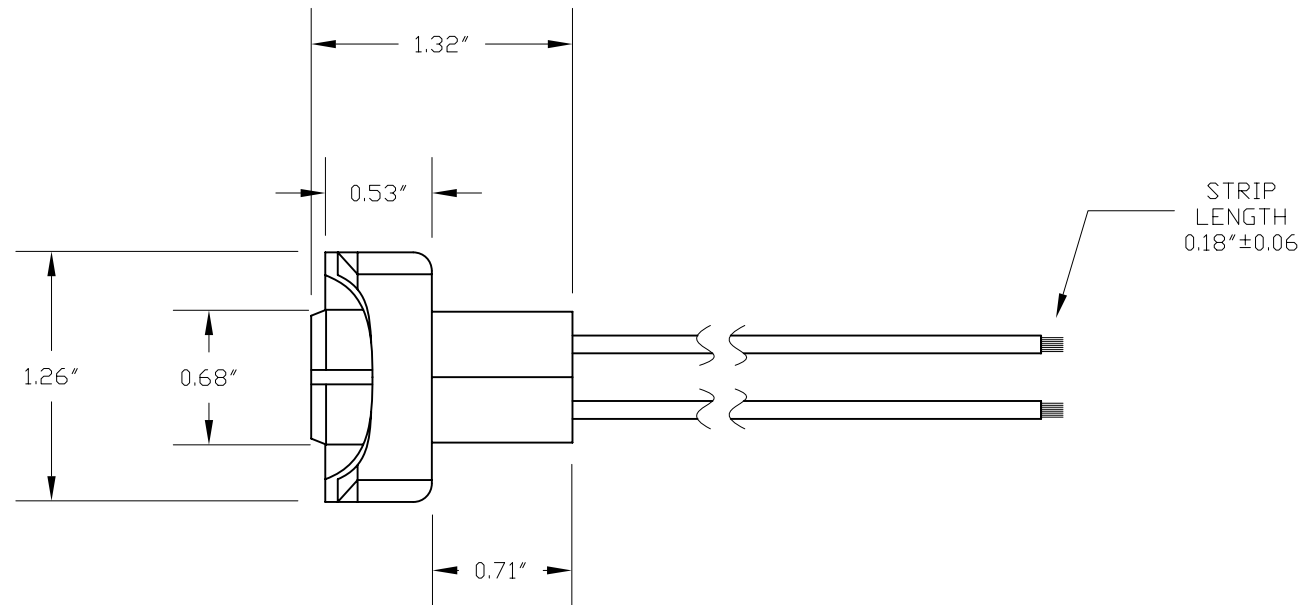
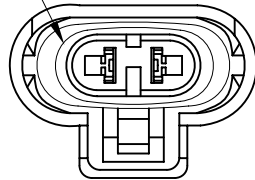


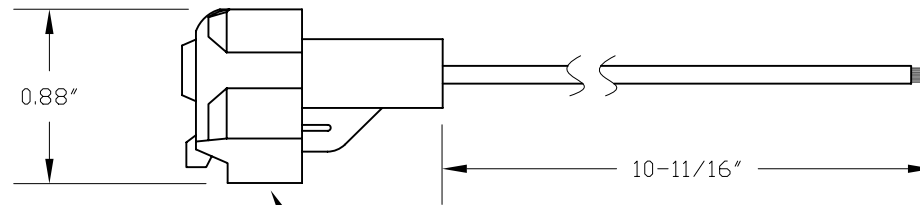
REVISIONS			
REV	DESCRIPTION	DATE	APPROVED
1	ISSUED	04/29/2010	DC



GASKET: BLUE



WIRE: BLACK, 18GA, 10-11/16"



HOUSING: GRAY

HOUSING FITS ALL H9
HALOGEN LAMPS

UNLESS OTHERWISE SPECIFIED: DIMENSIONS ARE IN INCHES TOLERANCES		CEC INDUSTRIES LTD		
DECIMALS .XX ± .02		599 BOND STREET LINCOLNSHIRE, IL 60069		
ANGULAR ± 1°		TITLE		
.XXX ± .010		PART NO. 85911		
FRACTIONAL ± 1/64		SIZE A	FSCM NO.	DWG NO. 85911
DRAWN DC	DATE 04/29/2010	SCALE	PLOT SCALE	SHEET 1 OF 1
CHECKED		FILE 85911.dwg	DO NOT SCALE DRAWING	
DESIGN				REV 1
MATERIAL				