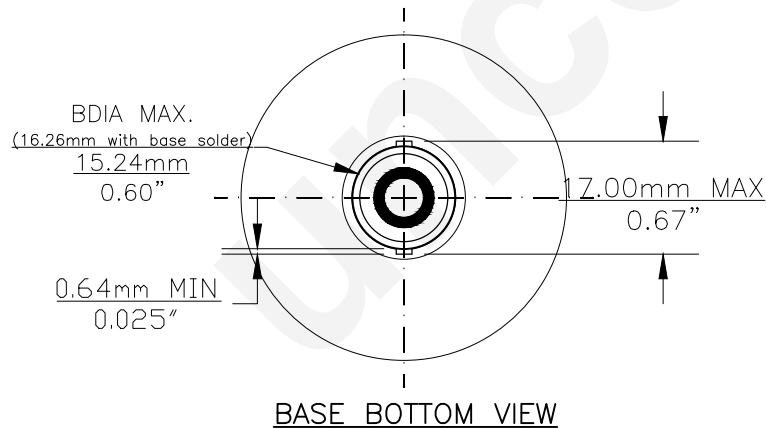
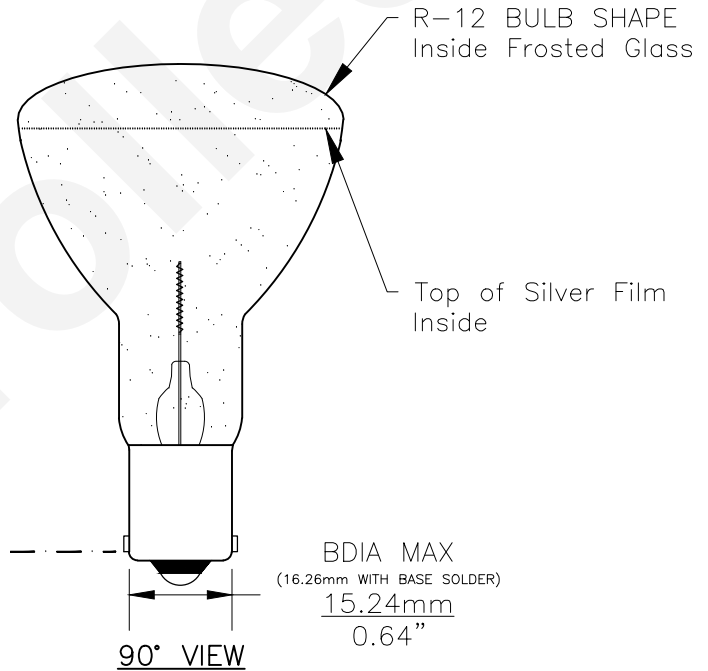
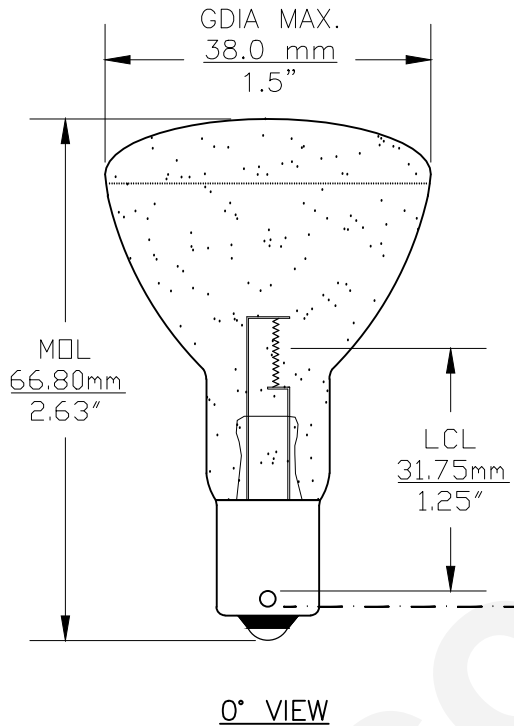




PART NO.	BASE TYPE	DESIGN VOLTS	DESIGN AMPS	MSCD	FILAMENT TYPE	AVERAGE LIFE HOURS
1383	S.C. Bayonet (BA15s)	13.0V	1.5 ±15%	--	C-8	300

REVISIONS			
REV #	DESCRIPTION	DATE	APPROVED
1	REDRAWN	09/14/2006	D.C.
2	REDRAWN, ADDITIONAL VIEWS	11/04/2014	R.M.



Note: Made according to SAE specifications



UNLESS OTHERWISE SPECIFIED: DIMENSIONS ARE IN INCHES TOLERANCES		CEC INDUSTRIES LTD	
DECIMALS	ANGULAR	599 BOND STREET LINCOLNSHIRE, IL 60069	
.XX ± .05	± 0.5°		
.XXX ± .010			
FRACTIONAL	± 1/64		
DRAWN ELIZABETH SONANES	DATE 04/13/2001	TITLE LIGHT BULB NO. 1383, 20W R12	
CHECKED	SIZE A	FSCM NO.	DWG NO. 1383
DESIGN	SCALE	PLOT SCALE	REV 2
MATERIAL	FILE 1383.pdf	SHEET 1 OF 1	
		DRAWING NOT TO SCALE	