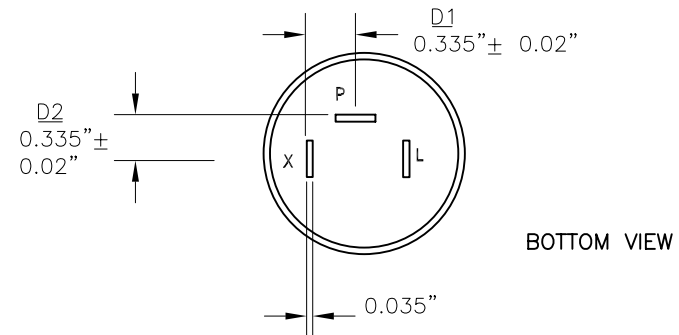
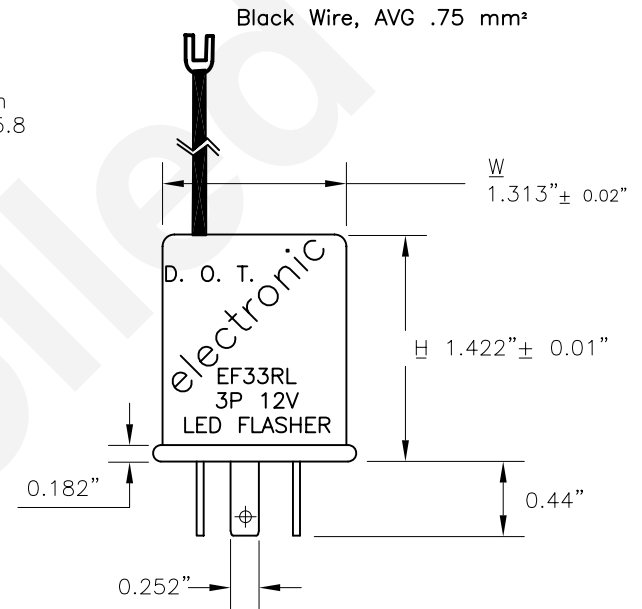
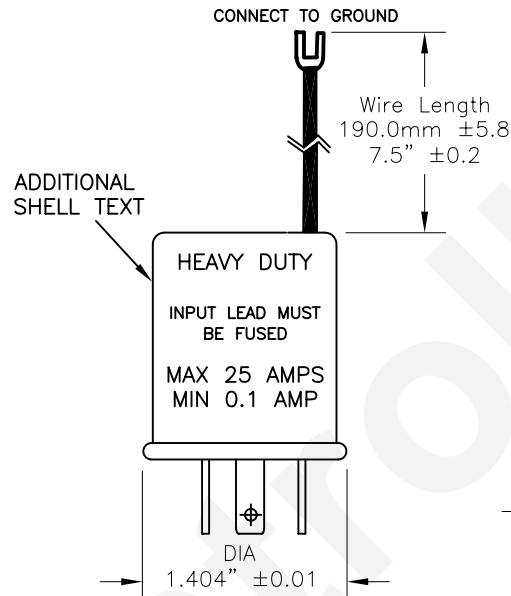
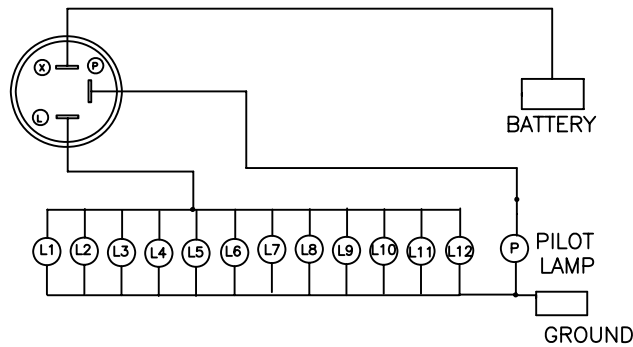


PART NO.	NO. OF TERMINALS	TYPE	STYLE	VOLTS
EF33RL	3	VARIABLE LOAD	ROUND	11-15V

REVISIONS			
REV	DESCRIPTION	DATE	APPROVAL
1	ISSUED	2/11/2005	D.C.
2	REVISED MIN. AMPS	9/22/2008	D.C.



Specifications: FMVSS 108 SAE J590b, J945&J1690 Class A

Shell Construction: Plastic

Rated Load: 0.1 Amp to 25 Amp self-adjusting to lamp amperage draw.

Lamp Ratings: 0.1 Amp to 25 Amps

Temperature Operating Range: -25°F to 140° F

Rated Voltage: 11 to 15 Volts DC.

Voltage Drop at Rated Current: 500 mv

Time to First Flash: Less than 1.5 seconds.

Flash Rate over Temperature Range: 60 to 120 Flash Per Minute

Duty Cycle: 30% to 75%

Electrical Source: Special Note: External Wire Provides Ground 25 amps. Input Lead must be fused.

L Terminal = Load (Lamp Output)

X Terminal = Battery (Power Input)

P Terminal = Pilot Lamp

UNLESS OTHERWISE SPECIFIED: DIMENSIONS ARE IN INCHES TOLERANCES		CEC INDUSTRIES LTD	
DECIMALS .XX ± .05	ANGULAR ± 0.5°	599 BOND STREET	LINCOLNSHIRE IL 60069
.XXX ± .010	FRACTIONAL ± 1/64	TITLE	
DRAWN D. C.	DATE 2/11/2005	ELECTRONIC FLASHER EF33RL	
CHECKED		SIZE A	FSCM NO. DWG NO. EF33RL
DESIGN		SCALE	PLOT SCALE
MATERIAL	FILE EF33RL.DWG	SHEET	1 OF 1
DO NOT SCALE DRAWING			