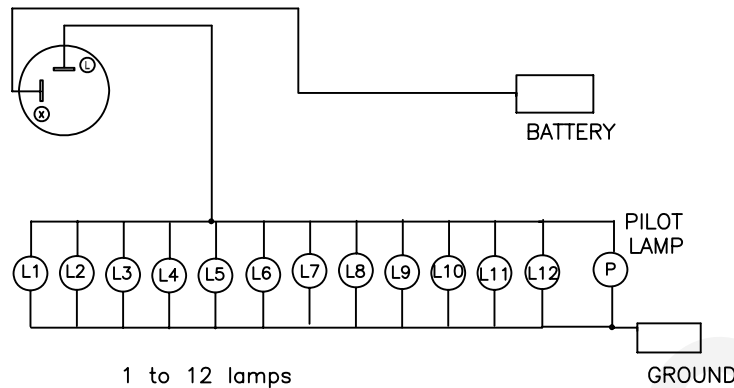
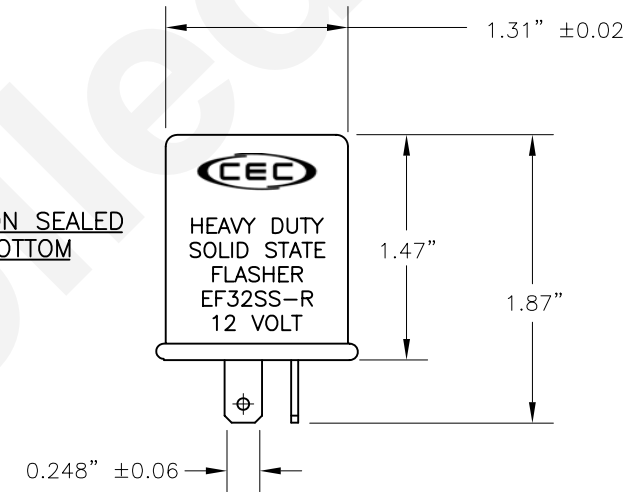
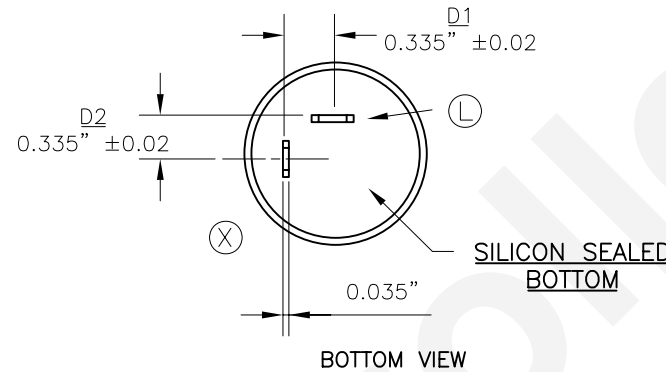


REVISIONS			
REV	DESCRIPTION	DATE	APPROVED
1	ISSUED	12/20/2010	D.C.

PART NO.	NO. OF TERMINALS	TYPE	STYLE	VOLTS
EF32SS-R	2	VARIABLE LOAD	ROUND	11-15V



ADDITIONAL SHELL TEXT

HEAVY DUTY INPUT LEAD MUST BE FUSED
SAE J945 J590
J1690a
20mA-25A MAX AMPS
DOT

Specifications: FMVSS 108 SAE J590b, J945&J1690 Class A

Shell Construction: Plastic
Rated Load: 20mA to 25 amp self-adjusting to lamp amperage draw.
Lamp Ratings: 20mA to 25 Amps
Temperature Operating Range: -25°F to 140° F
Rated Voltage: 11 to 15 Volts DC.

Voltage Drop at Rated Current: 500 mv
Time to First Flash: Less than 1.5 seconds.
Flash Rate over Temperature Range: 60 to 120 Flash Per Minute
Duty Cycle: 30% to 75%
Electrical Source:

20 amps. Input Lead must be fused.
 L Terminal = Load (Lamp Output)
 X Terminal = Battery (Power Input)

UNLESS OTHERWISE SPECIFIED: DIMENSIONS ARE IN INCHES TOLERANCES		CEC INDUSTRIES LTD			
		599 BOND STREET		LINDOLNSHIRE IL 60099	
		TITLE ELECTRONIC FLASHER EF32SS-R			
DRAWN D. C.	DATE 12/20/2010	SIZE A	FSCM NO.	DWG NO. EF32SS-R	REV 1
CHECKED		SCALE	PLOT SCALE	SHEET 1 OF 1	
DESIGN		MATERIAL	FILE EF32SS-R.dwg	DO NOT SCALE DRAWING	