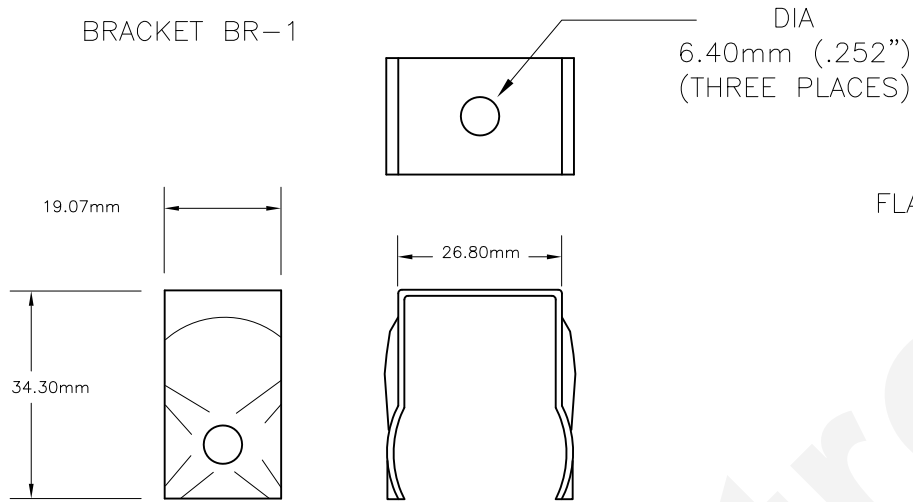
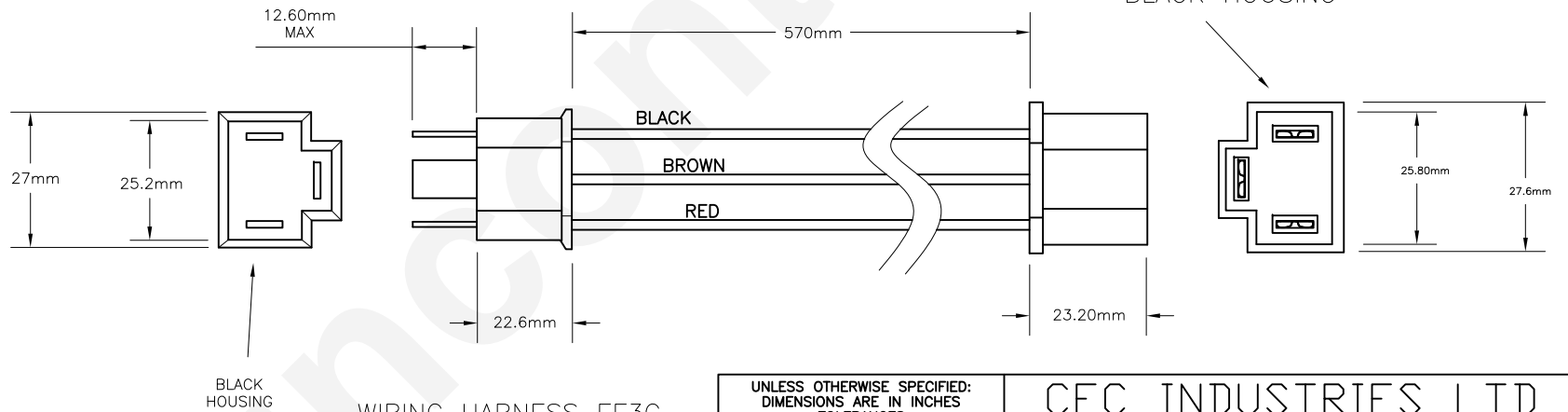
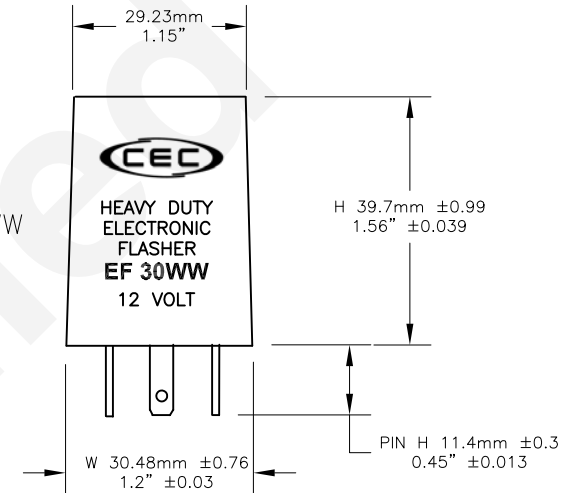


REVISIONS			
REV	DESCRIPTION	DATE	APPROVAL
1	ISSUED	2/11/2008	D.C.

BRACKET BR-1



FLASHER EF30WW



WIRING HARNESS EF3C

UNLESS OTHERWISE SPECIFIED: DIMENSIONS ARE IN INCHES TOLERANCES		CEC INDUSTRIES LTD			
DECIMALS .XX ± .05		599 BOND STREET		LINCOLNSHIRE IL 60069	
ANGULAR ± 0.5°		TITLE			
.XXX ± .010		ELECTRONIC FLASHER KIT, EF30WWK			
FRACTIONAL ± 1/64		SIZE	FSCM NO.	DWG NO.	REV
DRAWN	DATE	A		EF30WWK	1
D.C.	2/11/2008	SCALE	PLOT SCALE	SHEET 1 OF 1	
CHECKED		DO NOT SCALE DRAWING			
DESIGN		FILE EF30WWK.dwg			
MATERIAL					