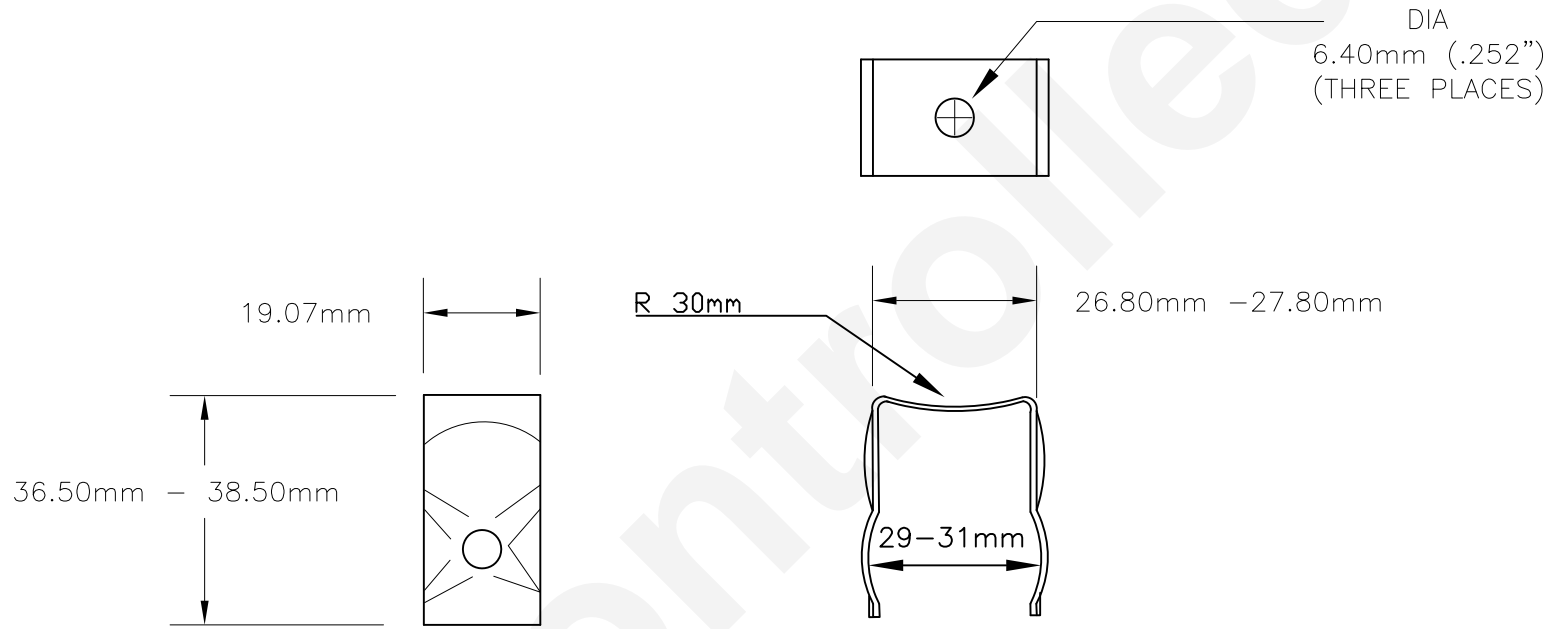


BRACKET BR1
 MATERIAL JIS G3141 SPCC-SD OILED (CQ2.UE) CHINA STEEL.
 THICKNESS 1mm

REVISIONS			
REV	DESCRIPTION	DATE	APPROVAL
1	ISSUED	07/26/2011	D.C.
2	REVISED HEIGHT, MAT'L ADDED	09/09/2013	D.C.



UNLESS OTHERWISE SPECIFIED: DIMENSIONS ARE IN INCHES TOLERANCES		CEC INDUSTRIES LTD			
DECIMALS .XX ± .05		599 BOND STREET		LINCOLNSHIRE IL 60069	
ANGULAR ± 0.5°		TITLE			
FRACTIONAL ± 1/64		BRACKET BR1			
DRAWN	DATE	SIZE	FSCM NO.	DWG NO.	REV
D.C.	07/26/2011	A		BR1	2
CHECKED		SCALE	PLOT SCALE	SHEET 1 OF 1	
DESIGN		FILE	BR1.dwg	DO NOT SCALE DRAWING	